



Power-up June's News



MASTERS ELECTRICAL SERVICES LTD. 4239 W. IH-10; SEGUIN, TEXAS 78155

TOGETHER EVERYONE ACHIEVES MORE!

Summer Is Approaching!

The month of May brought plenty of rain, humidity, and temps peaking over 80 degrees. We are convinced that summer is just around the corner!

Summer months in the construction field usually mean more work and longer days! Remember to stay well rested, hydrated and safe on your jobsite every day.

Don't forget to view page (7) for more important information from our Human Resource Department.

Company Slogan

“No matter what industry you're in nothing happens till the power goes on.”

Our Core Value!

Motivation

Attitude

Safety

Teamwork

Excellence

Relationship

Service

Inside This Newsletter

Page #1- Cover Page

Page #2- Project Spotlight

Page #3 -4- Project List

Page #5 - EC&M News

Page #6- Safety News

Page#7- Employee Spotlight

Page#8- Hot Topics

Page#9- IEC Enrollment

Project Spotlight

Gates Minerals

Gates Mineral has been selected as the project spotlight for Masters Electrical Services due to the unique qualities and materials that have been put into the project.

Also, it brings many different aspects of construction into one project. The Project team includes Architect, Drewry Martin INC, General Contractor, GW Mitchell, Owner Gates Reality LLC, Firetrol, RX Technologies, and M&S Engineering were among our subcontractors on this one of a kind building; We are pleased to be working side-by-side with the firms on this project.

The buildings unique architectural features required that almost all conduits for both power and special systems be installed in the slab. Interior walls are adorned floor to ceiling with 30"x30"x3/16" blued steel plates. All electrical rough in had to keep in mind the exceptional high level of detail utilizing many specialty materials. Examples of this include reclaimed cypress tongue & groove ceilings, terrazzo flooring and plate steel wall coverings. Tradesmen, Artisans, and Craftsmen labored for over 2 ½ years to complete the single-story, 7200 Sq Ft building.

We would like to thank Superintendent Roberto Fraire Sr. for his professionalism and hard work on this difficult project. We also want to thank all of the Masters Team members that took pride in the quality work required on this project. We again want to extend a special thank you to the design team of Drewry Martin INC, G. W. Mitchell, and Gates Reality, LLC for giving Masters Electrical Services LTD. the opportunity to work on this unique project.



Project List

New Jobs

- RAST IRON WORKS 6430 RAILWAY, SAN ANTONIO TX 78218 SHAW N SHAW
- ECISD SERVING LINES 6126 SINCLAIR RD, SAN ANTONIO TX 78222
- BROADWAY BANK 5TH & 6TH FLOORS 1177 E. LOOP 410, SAN ANTONIO, TX 78209 MIGUEL VELOZ
- TLU SOCCER FIELD LIGHTS 1000 WEST COURT ST. SEGUIN TX 78155

Current Jobs

- SARAH KING ELEMENTARY 1001 CERVALO STREET, SAN ANTONIO, TX 78207 SCOTT BARKER
- ARNOLD ELEMENTARY 467 FREILING DR - SA, TX 78213 SHAWN SHAW
- RIVERCENTER MALL RENOV PH 1 & 2, 849 E. COMMERCE – SA, TX. 78205 PERRY WINCHESTER
- Mc AULIFFE MIDDLE SCHOOL RENOV, 9390 SW LOOP 410 SA, TX PAUL BEST
- COLDWELL BANKER 1677 STATE HWY 46 BOERNE, TX 78006 BRIAN BROOKS
- IDEA-WALZEM PREP SCHOOL 6445 WALZEM RD – SAN ANTONIO, TX 78239 LONNIE HARPER
- RIVERCENTER WESTSIDE 849 E. COMMERCE - SA, TX, 78205 PERRY WINCHESTER
- POTEET ISD - PIC/PUMP HOUSE/BALLFIELD 838 SCHOOL DR - POTEET, TX. RUBEN GUERRA
- POTEET ISD GYM/FIELD HOUSE 1020 FM 1470 LEMING DR - POTEET, TX. 78065 RUBEN GUERRA
- POTEET ISD CAFETERIA 1021 FM 1470 LEMING DR - POTEET, TX. 78065 RUBEN GUERRA
- ANAQUA SPRINGS PH 2 9 RUE PARKER - BOERNE, TX 78006 RUBEN RODRIGUEZ
- SAISD TRANSPORTATION FACILITY SAN ANTONIO, TX RAFEAL SILVESTRE
- SEGUIN PARK WEST 601 VAUGHN ST- SEGUIN TX, 78155 CODY SMITH
- PARKING LOT EXPAN DEVINE HS SH & FM 2200 ON ARABIAN WAY DEVINE, TX 78016 RUBEN RODRIGUEZ
- SEGUIN PLAZA HOTEL SEGUIN, TX CODY SMITH
- PA OZUNA RLC – PHASE II 1400 W. VILLARET BLVD – SAN ANTONIO, TX 78224 SPENCER DWYER
- KARNES COUNTY EMS FACILITY 707 WEST MAIN STREET – KENEDY, TX 78119 JOHNIE RIDDLE
- INDIAN CREEK ES ADDS/RENOV (SWISD) 5830 OLD PEARSALL ROAD SA, TX 78242 ROBERTO FRAIRE SR.
- SEGUIN PUBLIC LIBRARY 313 WEST NOLTE ST. SEGUIN TX 78155 CODY SMITH
- SINGING HILLS WWWTP & LIFT STATION HWY 281 & HWY 46, BULVERDE, TX 78154 KEVIN MOLINE
- HOMEWOOD SUITES PARKING STRUCTURE 419 S. ST. MARY’S ST, SAN ANOTION, TX JAIME PAWELEK
- ENRON OIL GAS JOHN FITZPATRICK
- DEVINE HS PARKING LOT EXPANSION SH & FM 2200 ON ARABIAN WAY , DEVIN, TX 78016 RUBEN RODRIGUEZ

Project List

Current Jobs

- | | | |
|--|--|-------------------------------------|
| <ul style="list-style-type: none"> CHEYENNE PETROLEUM HEALTH BY DESIGN | CHEYENNE
3602 PAESANOS PKWY SUITES 108, SA TX 78231 | JOHN FITZPATRICK
RUBEN RODRIUGEZ |
|--|--|-------------------------------------|

Recently Completed Jobs

- | | | |
|--|---|--------------------|
| <ul style="list-style-type: none"> GATES MINERAL | 2969 NACOGDOCHES ROAD - SA TX 78217 | ROBERTO FRAIRE SR. |
| <ul style="list-style-type: none"> FENWICK ELEMENTARY | 1930 WAVERLY AVENUE - SA, TX 78228 | LONNIE HARPER |
| <ul style="list-style-type: none"> NAVARRO ISD ALT #4 | 6450 N. HWY 123 - SEGUIN, TX 78155 | CODY SMITH |
| <ul style="list-style-type: none"> SAN MARCOS PRE-K | 1225 HWY 123 - SAN MARCOS, TX | JASON DAVIS |
| <ul style="list-style-type: none"> TRINITY BAPTIST CHURCH REMODEL | 319 E. MULBERRY - SAN ANTONIO, TX 78212 | PAUL BEST |
| <ul style="list-style-type: none"> BROADWAY BANK 3rd FL | 1021 FM 1470 LEMING DR.-PROTEET, TX | MIGUEL VELOZ |
| <ul style="list-style-type: none"> HOSS ARMS | 5990 FM 725 - NEW BRAUNFELS, TX 78130 | SPENCER DWYER |
| <ul style="list-style-type: none"> POTEET ELEM SCHOOL | 1100 SCHOOL DRIVE, POTEET TX. 78065 | RUBEN GUERRA |

Thank you to our foremen in the field and every employee who has helped to complete these jobs. Masters Electric appreciates your hard work! 😊😊

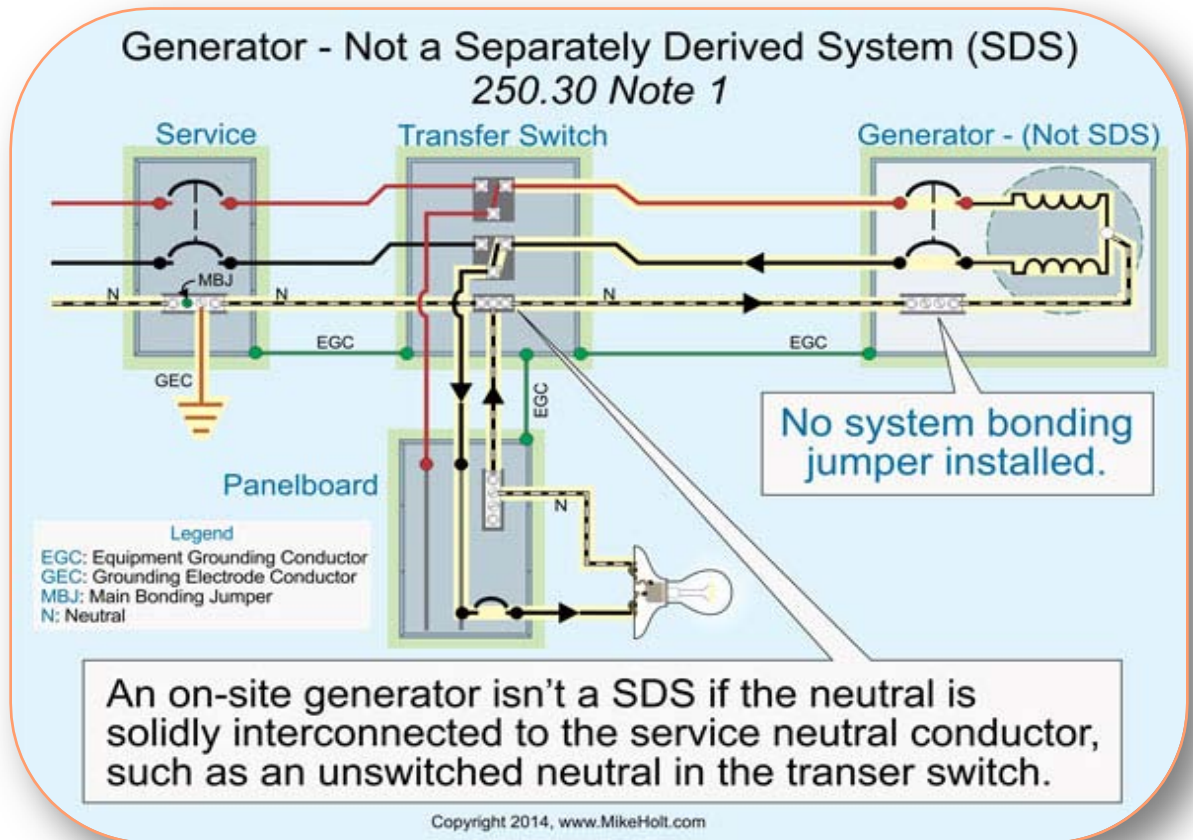
EC&M News

Stumped By Code?

Q. When is an on-site generator not a separately derived system?

A. An alternating-current power source such as an on-site generator isn't a separately derived system if the neutral conductor is solidly interconnected to a service-supplied system neutral conductor. An example is a generator provided with a transfer

switch that includes a neutral conductor that's not switched [250.30 Note 1], as shown in Fig. 2. According to Art. 100, a separately derived system is a wiring system whose power is derived from a source, other than a utility, where there's no direct electrical connection to the supply conductors of another system, other than through grounding and bonding connections.



Transformers are separately derived when the primary conductors have no direct electrical connection from circuit conductors of one system to circuit conductors of another system, other than connections through grounding and bonding connections. A generator having transfer equipment that switches the neutral conductor, or one that has no neutral conductor at all, is a separately derived system and must be grounded and bonded in accordance with Sec. 250.30(A). For non-separately derived systems, see Sec. 445.13 for the minimum size neutral conductors necessary to carry fault current [250.30 Note 2]

Safety News

First Aid For Heat Stroke

1. First and foremost, cool the victim.

- Move victim to a shady area and remove or loosen clothing.
- Apply cool water to the skin.
- Fan the victim to promote sweating and evaporation.
- Place ice packs in the armpits and groin.

2. Monitor body temperature.

- Use a thermometer to check the person's temperature.
- Continue cooling efforts until the body temperature drops to 101-102 degrees

3. Always notify emergency services (911) immediately.

- Even if their arrival is delayed they can give you further instructions for treating the victim.



➤ **Preventions:**

- Avoid performing vigorous physical activities in hot and humid weather.
- Drink plenty of fluids (such as water and Gatorade), but avoid alcohol, coffee, and tea, which can cause dehydration.
- Take frequent breaks to hydrate yourself
- Wear a hat, and light colored and light-weight, loose-fitting clothes.



Employee Spotlight!

By Jacklyn Villanueva

EMPLOYEE OF THE MONTH



Cody Smith

About Our Employee

Cody Smith has been employed by Masters Electrical Services, LTD since May of 2014 and is currently a job foreman in the field. He is supervising three jobs for us with the highest level of professionalism. Cody has been in the electrical field for more than ten years and received his journeyman license in 2009. Cody has been married since September of 2011 and currently has 5 dogs and 2 horses that he and his wife call their “children”. His favorite meal, made by his wife, is green chili chicken enchiladas. On their honeymoon they went on a cruise to the Bahamas, Jamaica, and Cozumel. He says, “That is the furthest he has ever been from home.” Cody also enjoys rifle hunting, fishing, and every now and then, opening a “cold one” while sitting on his porch. We consider Cody Smith to be a critical asset and a well respected member of our team at Masters Electrical Services, LTD. We truly enjoy having him as a leader and employee!

Employee’s Anniversaries!

<u>Name</u>	<u>Date of Hire</u>	<u>Years With MES</u>
Kurt Dault	June 15th	5 yrs
Thomas Noll	June 6th	10 yrs
Roberto Fraire	June 7th	5 yrs
Mike Riley	June 19th	15 yrs

Thank you for all your hard work and commitment to our company, we hope you continue to excel at Master’s Electrical Services LTD. ☺

HOT TOPIC

From Human Resources

>>**Direct Deposit Pay Stubs** are now being mailed to the address we have on file for each employee! All important memos or information (ie. Insurance, 401(k) documents, etc) will also be included with your pay stub in the mail. So, please be sure to check your pay stub envelopes weekly!

Important News For Our Employees!!

We want all our employees to have the opportunity to further their career in the electrical field. Therefore, we want to provide information on Independent Electrical Contractors Apprenticeship Program (IEC) out of San Antonio. This program offers advancement in pay and job position as you progress in school. Masters is also implementing a paid tuition program, which will pay for your tuition if you maintain an A or B grade average and keep good attendance. For any employee who is interested in the apprenticeship program please refer to Page (8) for more information on how to enroll at IEC or contact our office at 830-303-6330.

****DEADLINE** to enroll at IEC for the September 2015 classes and receive paid tuition benefit is **July 31, 2015!!****

We are currently taking applications for:

- ❖ Electrical Helper/ Apprentice
 - Requirements:
 - ❖ Must have reliable transportation
 - ❖ Minimum one year electrical experience

June

BIRTHDAYS

- Aaron Boyle 3rd
- Ruben Escobar 4th
- Russel Kroboth 7th
- Cody Smith 25th
- Juan Sarabia 29th



Happy Birthday from your family here at

Master's Electric Services!

Independent Electrical Contractors, INC.
 San Antonio Chapter
 2307 Bandera Road
 San Antonio, TX 78228
 Phone:20-431-2510
 Contact: Raul Vasquez

Electrical Apprenticeship Program

September 2015 Classes

Applications are accepted year round at the IEC office
Monday-Thursday, 9:00am,-4:00pm

Applicants must bring the following to apply for entry into IEC:

1. Current and valid Driver's License or State Of Texas I.D. Card
2. Social Security Card or Birth Certificate
3. High School Diploma, High School Transcript, or GED Certificate with Scores
4. Current and valid Texas Electrical Apprenticeship License for TDLR
5. DD214 (if you are a Veteran and want to apply for VA benefits)

Class schedule, tuition costs, and book costs:

1. Class are held Monday - Thursday, 5:30 – 9:30 p.m.
2. Only 2 absences per semester are allowed
3. Tuition is \$400 per semester (2 semesters per year)
4. Books are approximately \$450 for the 1st year curriculum. You must purchase a new set of books yearly from IEC. Prices subject to change.

Additional requirements:

1. Complete 8,000 on-the-job training hours with an IEC Contractor Member
2. Abide by the Apprenticeship Standards and the IEC San Antonio Student Handbook
3. Applicants must furnish their own tools
4. Applicants must be able to identify and distinguish colors
5. Applicants must be physically fit to perform the job duties assigned by the contractor
6. Applicants must have mode of transportation to work jobsite and to school
7. Attend a scheduled interview with the A&T Committee (date to be determined)

IEC San Antonio's apprenticeship program is open to all applicants who meet the requirements without regard to race, creed, national origin, or gender. Women, minorities, and veterans are encouraged to apply.