



Power-Up June's News



MASTERS ELECTRICAL SERVICES LTD. 4239 W. IH-10: SEGUIN, TEXAS 78155

TOGETHER EVERYONE ACHIEVES
MORE!

Summer Approaching!

The month of May brought plenty of rain, humidity, and temps peaking over 80 degrees. We are convinced that summer is just around the corner!

Summer months in the construction field usually mean more work and longer days! Remember to stay well rested, hydrated and safe on your jobsite every day.

Don't forget to view page (9) for more important information from our Human Resource Department.

Company Slogan

“No matter what industry you're in nothing happens till the power goes on.”

Inside This Newsletter

Page #1- Cover Page

Page #2- Project Spotlight

Page #3- 4 Project List

Page #5 – EC&M News

Page #6- Safety News

Page #8 – Employee Spotlights

Page #9- Hot Topics

Our Core Value!

Motivation

Attitude

Safety

Teamwork

Excellence

Relationship

Service

Project Spotlight

Lockhart ISD

Masters Electrical Services Ltd. is pleased to be a part of a new project in Lytton Springs, Texas.

Lockhart ISD -

The board approves, Superintendent Rudy Trevino, to begin the process of negotiating acquisition of land for a new school in the Lytton Springs area. The 20-acre parcel, being offered to the District for a sale price of \$7,200 per acre, is in an arguably remote location.

The property Trevino and Assistant Superintendent Larry Ramirez have targeted for the construction remains a cause of concern to Trustees. However, became resolved in a later discussion and pushed to get the ball rolling for the new school building.

The Project -

Work will consist of new construction of a 58,200 sf elementary school. This project includes, but is not limited to, the following components: a. Site utilities, onsite septic system, excavation/select fill, concrete, structural steel/steel joist framing, metal framing, masonry stone veneer, metal panels/metal stairs, rough carpentry, finish carpentry, casework, waterproofing, insulation, roofing, drywall, acoustical ceiling, ceramic tile, carpet and vinyl flooring, paint, aluminum storefront, glass/glazing, doors/hardware, restroom accessories, classroom accessories, food service equipment, stage equipment, window blinds/shades, elevator, fire suppression system, mechanical, plumbing, electrical, technology, and fire alarm.

Thank you -

We would like to thank Scott Barker for his professionalism and hard work and all Masters Team Members that have and will work on this project. Please realize the importance of this project and take pride in your part of it. We also want to thank Joeris General Contractors and its team members for giving Masters Electrical Services LTD. the opportunity to work on this unique project.



Project List

New Jobs

- JOURDANTON SPORT COMPLEX 1604 HWY 97E JOURDANTON TX 78026 ROBERTO FRAIRE JR
- SOUTHERN M RANCH 4239 GOLDFINCH RD. PEARSALL TX 78601 RUBEN GUERRA
- BUA REMODEL 7838 BARLITE BOULAVARD SAN ANTONIO TX JAIME PAWELEK
- CSMI
- GONZALES ISD PH 2 926 St. LAWRENCE ST. SA, TX 78629 RAFAEL SILVESTRE
- NISD CAFÉ REMODELS CODY & LEON VALLEY 10403 DUGAS DR. 78245 & 7111 H
- WAVEGARDEN SOUTH AUSTIN, TX JOHNIE RIDDLE
- RUNGE SPORT COMPLEX 1199 GOLIAD RUNGE, TX 78151 ROBERTO FRAIRE JR
- CLEAR FORK ES RENOVATIONS 1102 CLEAR FORK DR. LOCKHART, TX 78644
- BECTON DICKENSON 1ST FL EXPANTION 5859 FARINON DR, STE 200 SA, TX 78249
- SEGUIN ANIMAL SHELTER 555 FRED BYRD SEGUIN, TX 78155
- BNB LIGHTING PROTECTION 1177 N.E. LOOP 410, SAN ANTONIO TX MIGUEL VELOZ
- WEST RIDGE MS 9201 SCENIC BLUFF DRIVE, AUSTIN TX

Current Jobs

- RIVERCENTER MALL RENOV PH 1 & 2, 849 E. COMMERCE – SA, TX. 78205 PERRY WINCHESTER
- RIVERCENTER WESTSIDE 849 E. COMMERCE - SA, TX, 78205 PERRY WINCHESTER
- POTEET ISD - PIC/PUMP HOUSE/BALLFIELD 838 SCHOOL DR - POTEET, TX. RUBEN GUERRA
- POTEET ISD GYM/FIELD HOUSE 1020 FM 1470 LEMING DR - POTEET, TX. 78065 RUBEN GUERRA
- POTEET ISD CAFETERIA 1021 FM 1470 LEMING DR - POTEET, TX. 78065 RUBEN GUERRA
- ANAQUA SPRINGS PH 2 9 RUE PARKER - BOERNE, TX 78006 RUBEN RODRIGUEZ
- IDEA – JUDSON (FEATHER RIDGE) 13427 JUDSON RD SAN ANTONIO TX 78233 SHAWN SHAW
- ALAMO EXPERIENCE MUSEUM 849 E. COMMERCE ST SA, TX 78205 CHRIS KOEPEL
- BNB CHEEVER BLDG COMMON SPACE 1045 CHEEVER SA, TX 78217 MIGUEL VELOZ
- NEW BRAUNFELS AIRPORT NEW BRAUNFELS TX, 78130 JOHN FITZPATRICK
- IDEA-JUDSON (FEATHER RIDG) 13427 JUDSON RD SA, TX 78233 SHAWN SHAW
- MARTINDALE LIFT STATION 5500 IH 10 E SA, TX 78219
- DISTRICT 3 COMMUNITY CENTER 3303 PECAN VALLEY DR SA, TX 78210 SPENCER DWYER
- NEW BRAUNFELS CITY HALL 955 N. WALNUT NB, TX 78130 LONNIE HARPER
- MSI MISC STEEL INDUSTRIES
- RAST IRON WORKS 6430 RAILWAY, SAN ANTONIO TX 78218 SHAWN SHAW
- IDEA WALZEM PREP SCHOOL PHASE 2 6445 WALZEM RD, SA TX 78239 LONNIE HARPER
- KARNES COUNTY EMS FACILITY 707 WEST MAIN STREET – KENEDY, TX 78119 JOHNIE RIDDLE
- SEGUIN PUBLIC LIBRARY 313 WEST NOLTE ST. SEGUIN TX 78155 CODY SMITH
- EOG RESOURCES VARIOUS LOCATIONS THOMAS NOLL
- IDEA - MAYS SECONDARY SCHOOL 8738 WATERS EDGE DR, SA TX 78245 ROBERTO FRAIRE
- LOCKHART ISD NEW ELEMENTARY FM 1854 LYTTON SPRINGS, TX 78616 SCOTT BARKER

Project List

Recently Completed Jobs

• SARAH KING ELEMENTARY	1001 CERVALO STREET, SAN ANTONIO, TX 78207	SCOTT BARKER
• Mc AULIFFE MIDDLE SCHOOL RENOV,	9390 SW LOOP 410 SA, TX	PAUL BEST
• IDEA-WALZEM PREP SCHOOL	6445 WALZEM RD – SAN ANTONIO, TX 78239	LONNIE HARPER
• SAISD TRANSPORTATION FACILITY	SAN ANTONIO, TX	RAFEAL SILVESTRE
• SEGUIN PARK WEST	601 VAUGHN ST- SEGUIN TX, 78155	CODY SMITH
• PARKING LOT EXPAN DEVINE HS	SH & FM 2200 ON ARABIAN WAY DEVINE, TX 78016	RUBEN RODRIGUEZ
• SEGUIN PLAZA HOTEL	SEGUIN, TX	CODY SMITH
• PA OZUNA RLC – PHASE II	1400 W. VILLARET BLVD – SAN ANTONIO, TX 78224	SPENCER DWYER
• BROADWAY BANK 5 TH & 6 TH FLOORS	1177 E. LOOP 410, SAN ANTONIO, TX 78209	MIGUEL VELOZ
• BEXAR COUNTY VISTA VERDE 4 TH FL	233 N. PECOS LA TRINIDAD, SA TX	RUBEN RODRIGUEZ
• BNB CHEEVER BLDG G4S RENOV	1045 CHEEVER SA, TX 78217	MIGUEL VELOZ
• PENNBAKER LAW SUITE	1045 CHEEVER SAN ANTONIO, TX 78217	MIGUEL VELOZ
• INDIAN CREEK ES ADD'S/RENOV (SWISD)	5830 OLD PEARSALL ROAD SA, TX 78242	ROBERTO FRAIRE SR.
• PARKWAY OAKS SHOPPING CENTER	938 WURZBACH PKWY, SA TX 78216	RAFAEL SILVESTRE
• BULVERDE LITTLE LEAGUE FIELD C	101 JUMBO EVANS BVLD SPRINGS BRANCH TX 78070	ROBERTO FRAIRE JR.
• LDS INDIAN SPRINGS HERITAGE CTR	25479 BULVERDE ROAD, SA TX 78261	BRIAN BROOKS
• CAVENDER CHEVROLET MAKE READY	30700 IH 10 WEST, BOERNE TX 78006	RUBEN RODRIGUEZ

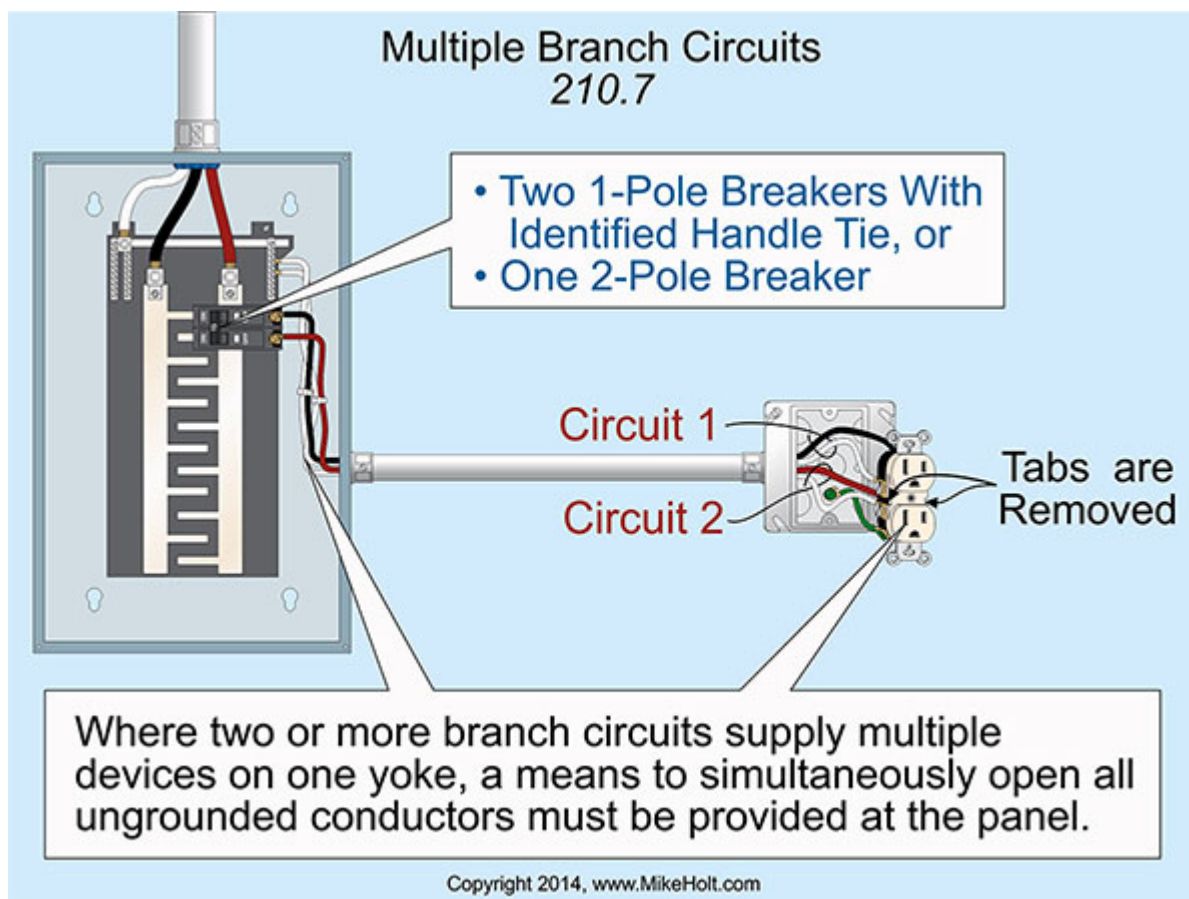
Thank you to our foremen in the field and every employee who has helped to complete these jobs. Masters Electric appreciates your hard work! 😊😊

EC&M News

Q & A

Q. What is the Code rule that applies if two or more branch circuits supply devices or equipment on the same yoke?

A. If two or more branch circuits supply devices or equipment on the same yoke, a means to disconnect simultaneously all ungrounded conductors that supply those devices or equipment is required at the point where the branch circuit originates [210.7].



A yoke, also called a strap, is the metal mounting structure for a receptacle, switch, and switch with pilot light, switch-receptacle, and so forth. Individual single-pole circuit breakers with handle ties identified for the purpose, or a circuit breaker with a common internal trip, can be used for this application [240.15(B)(1)].

Safety News

It Can Happen Anywhere! Shocking News!

Pool Season Brings Shock!

At least two people were critically injured over Memorial Day weekend in separate pool shock incidents. A 34-year-old man and an 8-year-old girl were shocked in swimming pools, and both were in critical condition at hospitals this morning.



In one accident, a man was shocked while swimming in a motel pool in Wildwood Crest, N.J. He was swimming with family and friends Saturday when he was spotted face down in the pool. When a friend when in to help, he was shocked when he stepped on a pool filter.

A motel maintenance worker then turned the power off to the area, and the man was pulled out, according to a report from NJ.com.

The owner of the Aztel Motel said the pool had been inspected and bonded by an electrician three weeks ago, ABC 6 reported.

In another incident in Mechanicsburg, Penn., an 8-year-old girl was shocked while swimming in a backyard pool. She was in a private pool at a home in Silver Spring Township and was shocked Sunday evening when the pool lights were turned on and apparently malfunctioned, according to a story from nbc4i.com.

Adults pulled the girl out of the pool after she went into cardiac arrest. Firefighters performed CPR until an officer arrived and used a defibrillator to resuscitate the girl. Seven other children in the pool may have felt some kind of sensation but did not need medical treatment.

“I suspect it’s because the young girl who was injured, I believe she must have somehow been grounded, perhaps had hold of a metal ladder, maybe even had a foot down in the pool,” the Silver Spring Community Fire Chief told ABC 27 News.

Employee Spotlight

About Our Employee

Employee of the Month!!



Jaime Pawelek

Jaime Pawelek has been employed by Masters Electrical Services, LTD since July 2000 and is currently a foreman in the commercial field. He has been in the trade for over sixteen years and received his journeymen license in 2003. When starting out in the trade he attended Associated Builders and Contractors Inc. known as ABC, for three years. He is originally from Falls City, but currently lives in San Antonio. During Jaime's down time he enjoys mudding, spends time with his friends, and goes to the local gun range. He is also partial to watching college football and eating Mexican food. Jaime Pawelek is an asset and we are looking forward to his continued employment here at Masters Electrical Services, LTD.

Recognizing Anniversaries!!!

Name	Years at M.E.S.	Date of Employment
Mark Brennan	10 years	4/24/06
Ruben Guerra	10 years	6/19/06
Abel Hawkins	10 years	6/19/06
James Lopez	5 years	2/15/11
Miguel Veloz	5 years	3/14/11
Justin Weddle	5 years	5/30/11
Roberto Fraire Jr.	5 years	6/01/11

CONGRATULATIONS AND THANK YOU!!!!

HOT TOPIC

From Human Resources

Paid Holidays – Memorial Day (May 30th)
Independence Day (July 4th)

In observance of Independence Day, our office and most jobsites will be closed.

Reminder: Employees must complete 180 continuous days of employment to qualify for Holiday Pay. Also, if you qualify, all employees must report to work the day prior to and following the paid holiday, unless prior arrangements are made to be off.

Save the Date: 2016 marks a *huge* milestone for Masters Electrical Services, **10 Years in Business!** Therefore, we will be having a companywide celebration on August 6th from 3-10 p.m. More details to come as the date approaches!

We are currently taking applications for:

❖ Job Foreman

➤ Requirements:

- Must have reliable transportation
- Hold a current Journeyman or Masters License
- Minimum of 2 years of supervisory or foreman experience

❖ Licensed Journeyman

➤ Requirements:

- Must have reliable transportation

❖ Electrical Helper/ Apprentice

➤ Requirements:

- Must have reliable transportation
- Minimum one year electrical experience

June's Birthdays

- Aaron Boyle 6/03
- Ruben Escobar 6/04
- Russell Kroboth 6/07
- Donald Alsobrooks 6/10
- Cole Richey 6/19
- Cody Smith 6/25



Happy Birthday from your family here at
Masters Electrical Services!